

MAXIM**Fast, Low-Voltage, 2.5Ω, SPST, CMOS Analog Switches****MAX4645/MAX4646****General Description**

The MAX4645/MAX4646 single-pole, single-throw (SPST) analog switches feature a 2.5Ω typical on-resistance (RON) from a +5V supply. RON is flat (0.4Ω max) over the specified signal range. Each switch can handle Rail-to-Rail® analog signals. Off-leakage current is 0.25nA max at +25°C. These analog switches are ideal in low-distortion applications and are the preferred solution over mechanical relays in automated test equipment or applications where current switching is required. They have low power requirements, require less board space, and are more reliable than mechanical relays.

These switches operate from a +1.8V to +5V single supply, making them ideal for use in battery-powered applications. The MAX4645/MAX4646 have fast switching speeds of 12ns turn-on time (tON) and 8ns turn-off time (tOFF).

The MAX4645 is a normally open (NO) switch, and the MAX4646 is a normally closed (NC) switch. Both are available in 5-pin SOT23, 6-pin SOT23, and 8-pin μMAX packages.

Applications

Battery-Powered Systems
 Audio and Video Signal Routing
 Low-Voltage Data-Acquisition Systems
 Sample-and-Hold Circuits
 Communications Circuits
 Relay Replacement

Features

- ◆ +1.8V to +5V Single-Supply Operation
- ◆ Guaranteed RON
 2.5Ω max (5V supply)
 3.5Ω max (3V supply)
- ◆ 1.8V Operation
 RON 30Ω typ Over Temperature
 tON 40ns typ, tOFF 20ns typ
- ◆ Low RON Flatness: 0.4Ω max
- ◆ Guaranteed Low Leakage Currents
 ±0.25nA at +25°C
- ◆ Rail-to-Rail Output Capability
- ◆ TTL/CMOS-Logic Compatible
- ◆ -75dB Off-Isolation at 1MHz
- ◆ Low Distortion: 0.014% typ

Ordering Information

PART	TEMP. RANGE	PIN-PACKAGE	TOP MARK
MAX4645EUK-T	-40°C to +85°C	5 SOT23-5	ADOB
MAX4645EUT-T	-40°C to +85°C	6 SOT23-6	AAHL
MAX4645EUA	-40°C to +85°C	8 μMAX	—
MAX4646EUK-T	-40°C to +85°C	5 SOT23-5	ADOC
MAX4646EUT-T	-40°C to +85°C	6 SOT23-6	AAHM
MAX4646EUA	-40°C to +85°C	8 μMAX	—

Rail-to-Rail is a registered trademark of Nippon Motorola, Ltd.

Pin Configurations/Functional Diagrams/Truth Tables

TOP VIEW

INPUT	SWITCH STATE	
	MAX4645	MAX4646
0	OFF	ON
1	ON	OFF

SWITCHES SHOWN FOR LOGIC 0 INPUT.

Pin Configurations/Functional Diagrams/
 Truth Tables continued at end of data sheet.

NOTE: SOT23-5 PACKAGE HAS LETTERING NEAREST PIN 5.

MAXIM

Maxim Integrated Products 1

For free samples and the latest literature, visit www.maxim-ic.com or phone 1-800-998-8800.
 For small orders, phone 1-800-835-8769.

Fast, Low-Voltage, 2.5Ω, SPST, CMOS Analog Switches

ABSOLUTE MAXIMUM RATINGS

V+, V _{IN} to GND	-0.3 to +6V
COM, NO, NC to GND (Note 1)	-0.3V to (V+ + 0.3V)
Continuous Current (any terminal)	±50mA
Peak Current COM, NO, NC (pulsed at 1ms 10% duty cycle)	±100mA

Continuous Power Dissipation (T _A = +70°C)	
5-Pin SOT23 (derate 7.1mW/°C above +70°C)	571mW
6-Pin SOT23 (derate 8.7mW/°C above +70°C)	696mW
8-Pin μMAX (derate 4.1mW/°C above +70°C)	330mW
Operating Temperature Range	-40°C to +85°C
Storage Temperature Range	-65°C to +150°C
Lead Temperature (soldering, 10s)	+300°C

Note 1: Signals on NO, NC, or COM, exceeding V+ or GND are clamped by internal diodes. Limit forward current to maximum current rating.

Stresses beyond those listed under "Absolute Maximum Ratings" may cause permanent damage to the device. These are stress ratings only, and functional operation of the device at these or any other conditions beyond those indicated in the operational sections of the specifications is not implied. Exposure to absolute maximum rating conditions for extended periods may affect device reliability.

ELECTRICAL CHARACTERISTICS—Single +5V Supply

(V+ = 4.5V to 5.5V, V_{IH} = 2.4V, V_{IL} = 0.8V, T_A = T_{MIN} to T_{MAX}, unless otherwise specified.) (Notes 2, 3)

PARAMETER	SYMBOL	CONDITIONS	MIN	TYP	MAX	UNITS	
ANALOG SWITCH							
Input Voltage Range	V _{COM} , V _{NO} , V _{NC}		0		V+	V	
COM to NO or NC On-Resistance	R _{ON}	I _{COM} = 10mA, V _{NO} or V _{NC} = 0 to V+, V+ = 4.5V	T _A = +25°C	1.5	2.5	Ω	
			T _A = T _{MIN} to T _{MAX}		3		
On-Resistance Flatness (Note 4)	R _{FLAT(ON)}	I _{COM} = 10mA, V _{NO} or V _{NC} = 0 to V+, V+ = 4.5V	T _A = +25°C	0.1	0.4	Ω	
			T _A = T _{MIN} to T _{MAX}		0.6		
Off-Leakage Current (NO or NC) (Notes 5, 6)	I _{NO(OFF)} , I _{NC(OFF)}	V _{COM} = 1V, 4.5V; V _{NO} or V _{NC} = 4.5V, 1V; V+ = 5.5V	T _A = +25°C	-0.25	0.01	0.25	nA
			T _A = T _{MIN} to T _{MAX}	-0.35		0.35	
COM Off-Leakage Current (Notes 5, 6)	I _{COM(OFF)}	V _{COM} = 1V, 4.5V; V _{NO} or V _{NC} = 4.5V, 1V; V+ = 5.5V	T _A = +25°C	-0.25	0.01	0.25	nA
			T _A = T _{MIN} to T _{MAX}	-0.35		0.35	
COM On-Leakage Current (Notes 5, 6)	I _{COM(ON)}	V+ = 5.5V; V _{COM} = 4.5V, 1V; V _{NO} or V _{NC} = 4.5V, 1V, or floating	T _A = +25°C	-0.25	0.01	0.25	nA
			T _A = T _{MIN} to T _{MAX}	-0.35		0.35	
LOGIC INPUT							
Input Logic High	V _{IH}		2.4			V	
Input Logic Low	V _{IL}				0.8	V	
Logic Input Current	I _{IN}	V _{INL} = 0.8V or 2.4V	-0.1	0.005	0.1	μA	
SWITCH DYNAMIC CHARACTERISTICS							
Turn-On Time (Note 5)	t _{ON}	V _{NO} , V _{NC} = 3V, R _L = 300Ω, C _L = 35pF, Figure 2	T _A = +25°C	12	15	ns	
			T _A = T _{MIN} to T _{MAX}		18		
Turn-Off Time (Note 5)	t _{OFF}	V _{NO} , V _{NC} = 3V, R _L = 300Ω, C _L = 35pF, Figure 2	T _A = +25°C	8	10	ns	
			T _A = T _{MIN} to T _{MAX}		12		

Fast, Low-Voltage, 2.5Ω, SPST, CMOS Analog Switches

MAX4645/MAX4646

ELECTRICAL CHARACTERISTICS—Single +5V Supply (continued)

(V₊ = 4.5V to 5.5V, V_{IH} = 2.4V, V_{IL} = 0.8V, T_A = T_{MIN} to T_{MAX}, unless otherwise specified.) (Notes 2, 3)

PARAMETER	SYMBOL	CONDITIONS		MIN	TYP	MAX	UNITS
Charge Injection	Q	V _{GEN} = 2V, C _L = 1.0nF, R _{GEN} = 0, Figure 3	T _A = +25°C		5		pC
NO or NC Capacitance	C _{OFF}	V _{NO} , V _{NC} = GND, f = 1MHz, Figure 5	T _A = +25°C		17		pF
COM Off-Capacitance	C _{COM}	V _{COM} = GND, f = 1MHz, Figure 5	T _A = +25°C		17		pF
COM On-Capacitance	C _{COM}	V _{COM} = V _{NO} , V _{NC} = GND, f = 1MHz, Figure 5	T _A = +25°C		38		pF
Off-Isolation (Note 7)	V _{ISO}	V _{NO} = V _{NC} = 1V _{RMS} , R _L = 50Ω, C _L = 5pF, f = 10MHz, Figure 4	T _A = +25°C		-55		dB
		V _{NO} = V _{NC} = 1V _{RMS} , R _L = 50Ω, C _L = 5pF, f = 1MHz, Figure 4	T _A = +25°C		-75		dB
Total Harmonic Distortion	THD	R _L = 600Ω, 5V _{P-P} , f = 20Hz to 20kHz	T _A = +25°C		0.014		%
POWER SUPPLY							
Positive Supply Current	I ₊	V ₊ = 5.5V, V _{IN} = 0 or V ₊ , all channels on or off	T _A = +25°C		0.0001		μA
			T _A = T _{MIN} to T _{MAX}			1.0	

ELECTRICAL CHARACTERISTICS—Single +3V Supply

(V₊ = 2.7V to 3.3V, V_{IH} = 2.0V, V_{IL} = 0.4V, T_A = T_{MIN} to T_{MAX}, unless otherwise specified.) (Notes 2, 3)

PARAMETER	SYMBOL	CONDITIONS		MIN	TYP	MAX	UNITS
ANALOG SWITCH							
Input Voltage Range	V _{COM} , V _{NO} , V _{NC}			0		V ₊	V
COM to NO or NC On-Resistance	R _{ON}	I _{COM} = 10mA, V _{NO} or V _{NC} = 0 to V ₊ , V ₊ = 2.7V	T _A = +25°C		2.5	3.5	Ω
			T _A = T _{MIN} to T _{MAX}			4.5	
On-Resistance Flatness (Note 4)	R _{FLAT(ON)}	I _{COM} = 10mA, V _{NO} or V _{NC} = 0 to V ₊ , V ₊ = 2.7V	T _A = +25°C		0.5	0.9	Ω
			T _A = T _{MIN} to T _{MAX}			1	
Off-Leakage Current (NO or NC) (Notes 5, 6)	I _{NO(OFF)} , I _{NC(OFF)}	V _{COM} = 1V, 3V; V _{NO} or V _{NC} = 3V, 1V; V ₊ = 3.3V	T _A = +25°C	-0.25	0.01	0.25	nA
			T _A = T _{MIN} to T _{MAX}		-0.35	0.35	
COM Off-Leakage Current (Notes 5, 6)	I _{COM(OFF)}	V _{COM} = 1V, 3V; V _{NO} or V _{NC} = 3V, 1V; V ₊ = 3.3V	T _A = +25°C	-0.25	0.01	0.25	nA
			T _A = T _{MIN} to T _{MAX}		-0.35	0.35	
COM On-Leakage Current (Notes 5, 6)	I _{COM(ON)}	V ₊ = 3.3V; V _{COM} = 1V, 3V; V _{NO} or V _{NC} = 1V, 3V or floating	T _A = +25°C	-0.25	0.01	0.25	nA
			T _A = T _{MIN} to T _{MAX}		-0.35	0.35	

Fast, Low-Voltage, 2.5Ω, SPST, CMOS Analog Switches

ELECTRICAL CHARACTERISTICS—Single +3V Supply (continued)

(V+ = 2.7V to 3.3V, V_{IH} = 2.0V, V_{IL} = 0.4V, T_A = T_{MIN} to T_{MAX}, unless otherwise specified.) (Notes 2, 3)

PARAMETER	SYMBOL	CONDITIONS	MIN	TYP	MAX	UNITS
LOGIC INPUT						
Input Logic High	V _{IH}		2.0			V
Input Logic Low	V _{IL}				0.4	V
Logic Input Current	I _{IN}	V _{IN} = 0.4V or 2.0V	-1	0.005	1	μA
SWITCH DYNAMIC CHARACTERISTICS						
Turn-On Time (Note 5)	t _{ON}	V _{NO} , V _{NC} = 2.0V, R _L = 300Ω, C _L = 35pF, Figure 2	T _A = +25°C	12	15	ns
			T _A = T _{MIN} to T _{MAX}		20	
Turn-Off Time (Note 5)	t _{OFF}	V _{NO} , V _{NC} = 2.0V, R _L = 300Ω, C _L = 35pF, Figure 2	T _A = +25°C	8	10	ns
			T _A = T _{MIN} to T _{MAX}		13	
Charge Injection	Q	V _{GEN} = 1.5V, C _L = 1.0nF, R _{GEN} = 0, Figure 3	T _A = +25°C	4		pC
NO or NC Capacitance	C _{OFF}	V _{NO} , V _{NC} = GND, f = 1MHz, Figure 5	T _A = +25°C	17		pF
COM Off-Capacitance	C _{COM}	V _{COM} = GND, f = 1MHz, Figure 5	T _A = +25°C	17		pF
COM On-Capacitance	C _{COM}	V _{COM} = V _{NO} , V _{NC} = GND, f = 1MHz, Figure 5	T _A = +25°C	38		pF
Off-Isolation (Note 7)	V _{ISO}	V _{NO} = V _{NC} = 1V _{RMS} , R _L = 50Ω, C _L = 5pF, f = 10MHz, Figure 4	T _A = +25°C	-55		dB
			T _A = +25°C	-75		
POWER SUPPLY						
Positive Supply Current	I+	V+ = 3.3V, V _{IN} = 0 or V+, all channels on or off	T _A = +25°C	0.0001		μA
			T _A = T _{MIN} to T _{MAX}		1.0	

Note 2: The algebraic convention, where the most negative value is a minimum and the most positive value is a maximum, is used in this data sheet.

Note 3: SOT packages are 100% production tested at +25°C. Limits at the maximum rated temperature are guaranteed by correlation.

Note 4: Flatness is defined as the difference between the maximum and the minimum value of on-resistance as measured over the specified analog signal ranges.

Note 5: Guaranteed by design.

Note 6: Leakage parameters are 100% tested at +85°C and guaranteed by correlation at +25°C.

Note 7: Off-Isolation = 20log₁₀(V_{COM} / V_{NO}), V_{COM} = output, V_{NO} = input to off switch.

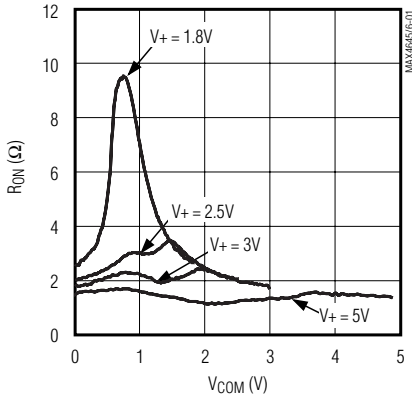
Fast, Low-Voltage, 2.5Ω, SPST, CMOS Analog Switches

Typical Operating Characteristics

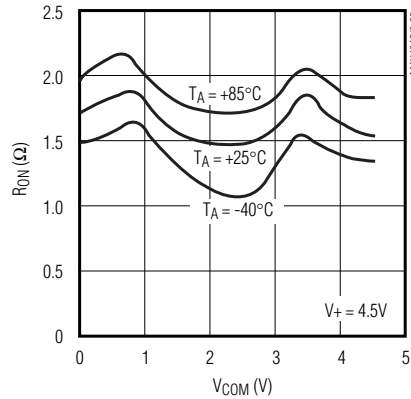
($T_A = +25^\circ\text{C}$, unless otherwise noted.)

MAX4645/MAX4646

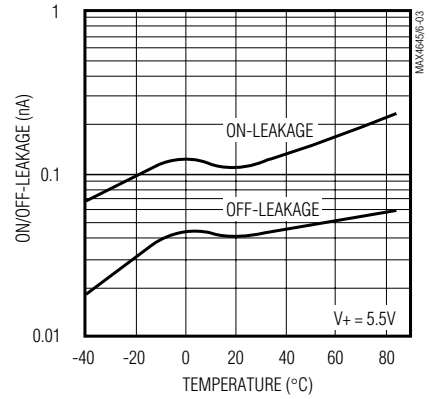
ON-RESISTANCE vs. V_{COM} AND SUPPLY VOLTAGE



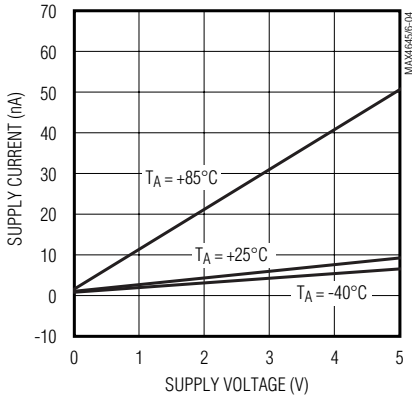
ON-RESISTANCE vs. V_{COM} AND TEMPERATURE



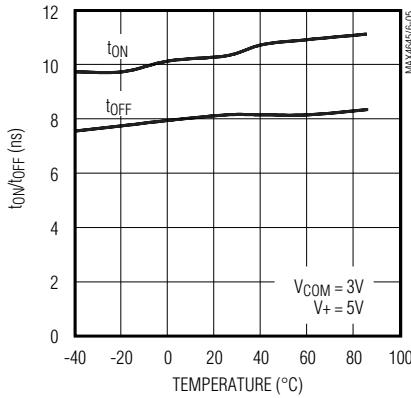
ON/OFF-LEAKAGE CURRENT vs. TEMPERATURE



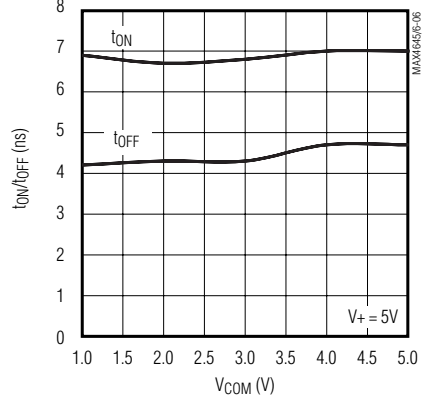
SUPPLY CURRENT vs. SUPPLY VOLTAGE AND TEMPERATURE



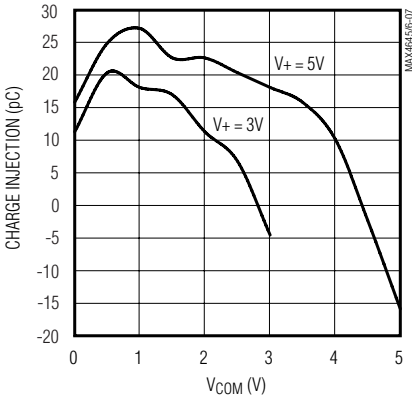
TURN-ON/TURN-OFF TIME vs. TEMPERATURE



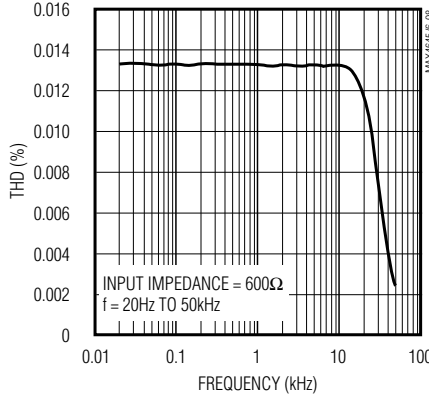
TURN-ON/TURN-OFF TIME vs. V_{COM}



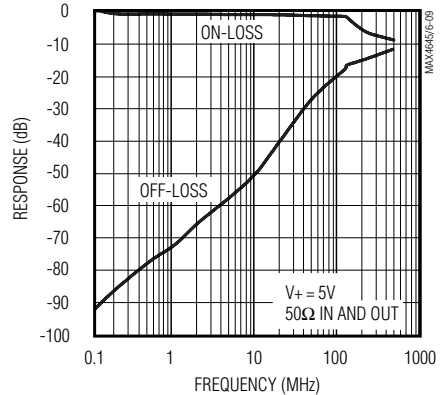
CHARGE INJECTION vs. V_{COM}



TOTAL HARMONIC DISTORTION vs. FREQUENCY



FREQUENCY RESPONSE



Fast, Low-Voltage, 2.5Ω, SPST, CMOS Analog Switches

Pin Description

PIN						NAME	FUNCTION
MAX4645			MAX4646				
SOT23-5	SOT23-6	μMAX	SOT23-5	SOT23-6	μMAX		
1	1	1	1	1	1	COM	Analog Switch Common Terminal
2	2	8	—	—	—	NO	Analog Switch Normally Open Terminal
—	—	—	2	2	8	NC	Analog Switch Normally Closed Terminal
3	3	7	3	3	7	GND	Ground
4	4	6	4	4	6	IN	Logic Control Input
—	5	2, 3, 5	—	5	2, 3, 5	N.C.	No Connection. Not internally connected.
5	6	4	5	6	4	V+	Positive Supply Voltage

Detailed Description

The MAX4645/MAX4646 are low 2.5Ω max on-resistance (at V+ = 5V), low-voltage analog switches that operate from a +1.8V to +5.5V single supply. CMOS switch construction allows processing analog signals that are within the supply voltage range (GND to V+).

Applications Information

Proper power-supply sequencing is recommended for all CMOS devices. Do not exceed the absolute maximum ratings because stresses beyond the listed ratings can cause permanent damage to the devices. Always sequence V+ on first, followed by the logic inputs, NO, or COM. If power-supply sequencing is not possible, add two small signal diodes (D1, D2) in series with the supply pins for overvoltage protection (Figure 1). Adding these diodes reduces the analog signal by one diode drop below V+ and one diode drop above GND, but does not affect the low switch resistance and low leakage characteristics of the device. Device operation is unchanged, and the difference between V+ and GND should not exceed 6V.

Although it is not required, power-supply bypassing improves noise margin and prevents switching noise from propagating from the V+ supply to other components. A 0.1μF capacitor, connected from V+ to GND, is adequate for most applications.

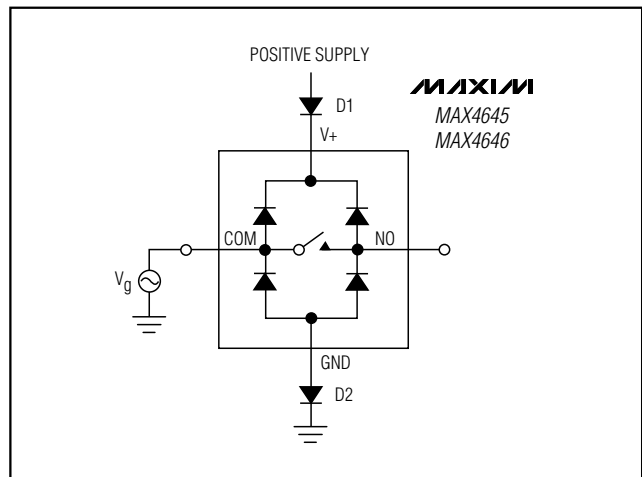


Figure 1. Overvoltage Protection Using Two External Blocking Diodes

Fast, Low-Voltage, 2.5Ω, SPST, CMOS Analog Switches

Test Circuits/Timing Diagrams

MAX4645/MAX4646

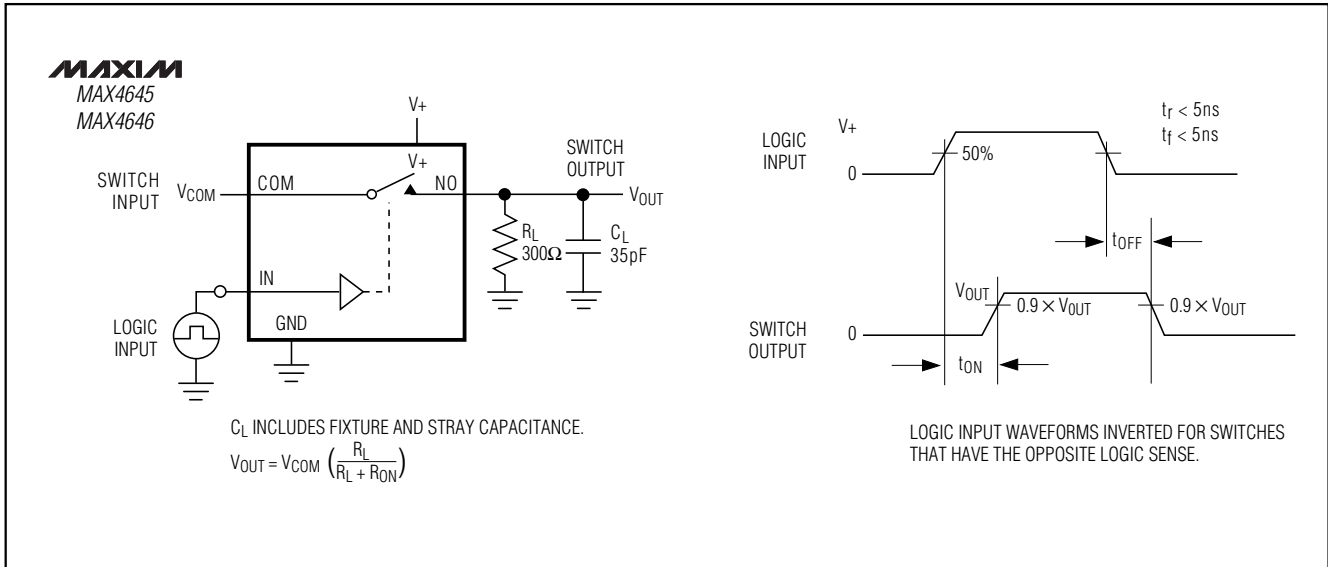


Figure 2. Switching Time

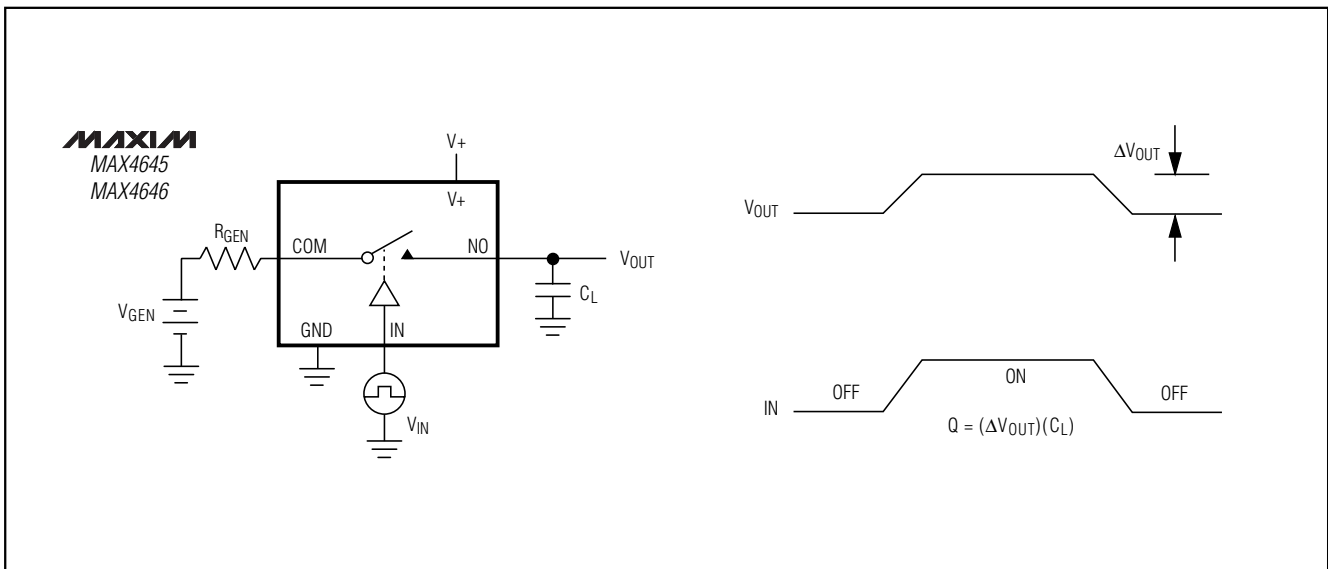


Figure 3. Charge Injection

Fast, Low-Voltage, 2.5Ω, SPST, CMOS Analog Switches

Test Circuits/Timing Diagrams (continued)

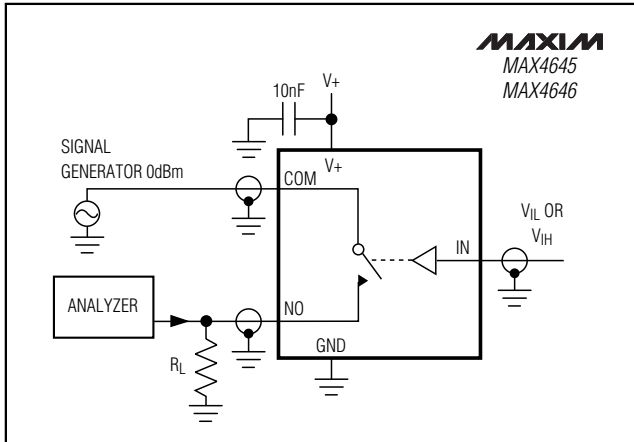


Figure 4. Off-Isolation/On-Channel Bandwidth

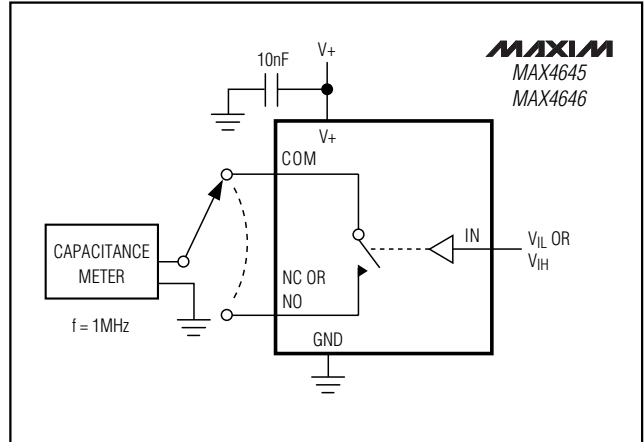


Figure 5. Channel Off/On-Capacitance

Pin Configurations/Functional Diagrams/Truth Tables (continued)

TOP VIEW

SOT23-6

SOT23-6

μMAX

μMAX

NOTE: SOT23-6 PACKAGE HAS LETTERING NEAREST PIN 6.

INPUT	SWITCH STATE	
	MAX4645	MAX4646
0	OFF	ON
1	ON	OFF

SWITCHES SHOWN FOR LOGIC 0 INPUT.

N.C. = NOT INTERNALLY CONNECTED

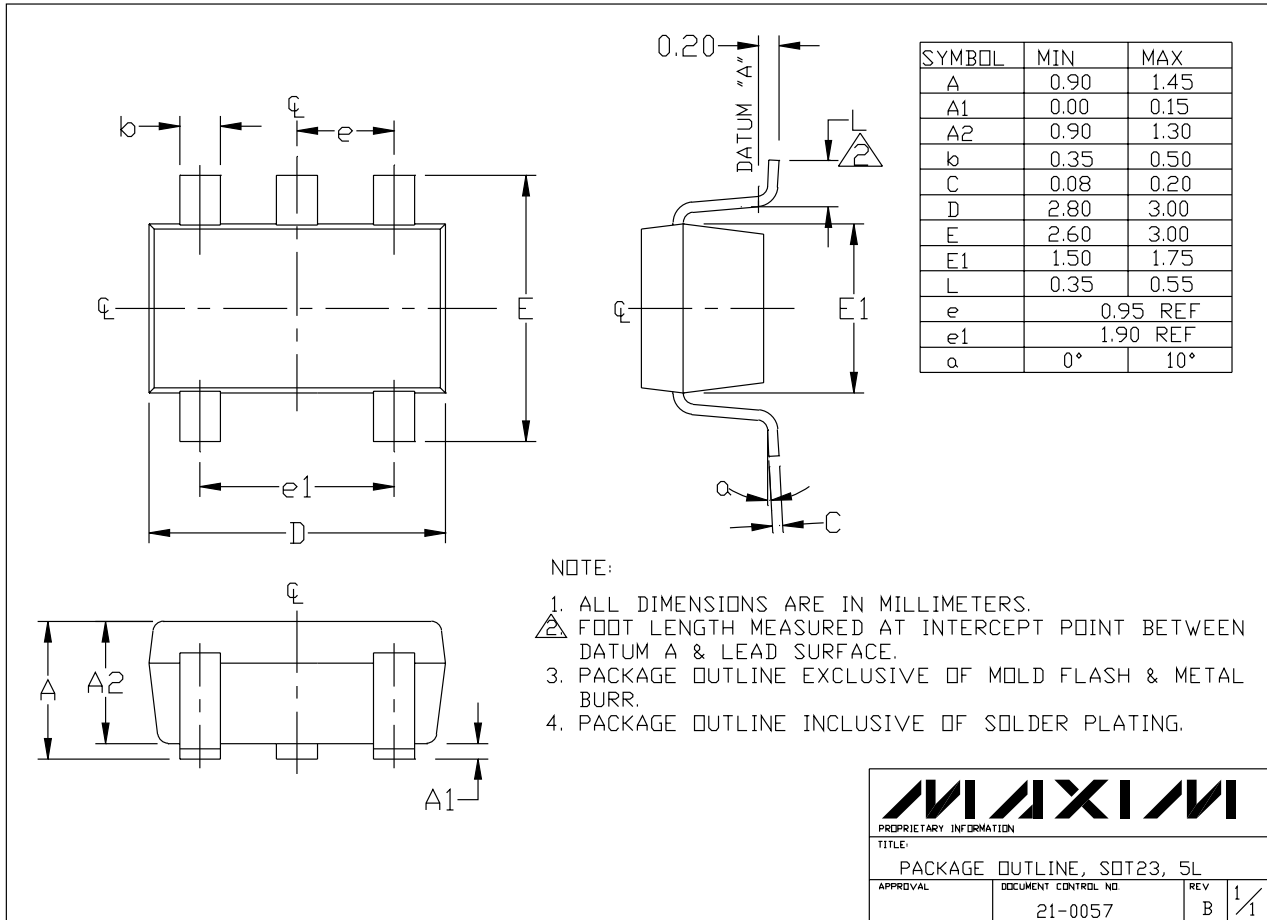
Chip Information

TRANSISTOR COUNT: 50

Fast, Low-Voltage, 2.5Ω, SPST, CMOS Analog Switches

Package Information

MAX4645/MAX4646



SOT23LFS

MAXIM		
<small>PROPRIETARY INFORMATION</small>		
<small>TITLE:</small>		
PACKAGE OUTLINE, SOT23, 5L		
<small>APPROVAL</small>	<small>DOCUMENT CONTROL NO.</small>	<small>REV</small>
	21-0057	B 1/1

Fast, Low-Voltage, 2.5Ω , SPST, CMOS Analog Switches

Package Information (continued)

SYMBOL	MIN	MAX
A	0.90	1.45
A1	0.00	0.15
A2	0.90	1.30
b	0.35	0.50
C	0.08	0.20
D	2.80	3.00
E	2.60	3.00
E1	1.50	1.75
L	0.35	0.55
e	0.95 REF	
a	0°	10°

NOTE:

1. ALL DIMENSIONS ARE IN MILLIMETERS.
2. FOOT LENGTH MEASURED AT INTERCEPT POINT BETWEEN DATUM A & LEAD SURFACE.
3. PACKAGE OUTLINE EXCLUSIVE OF MOLD FLASH & METAL BURR.
4. PACKAGE OUTLINE INCLUSIVE OF SOLDER PLATING.
5. PIN 1 IS LOWER LEFT PIN WHEN READING TOP MARK FROM LEFT TO RIGHT. (SEE EXAMPLE TOP MARK)
6. PIN 1 I.D. DOT IS 0.3 MM ϕ MIN. LOCATED ABOVE PIN 1.

6LSOT.EPS

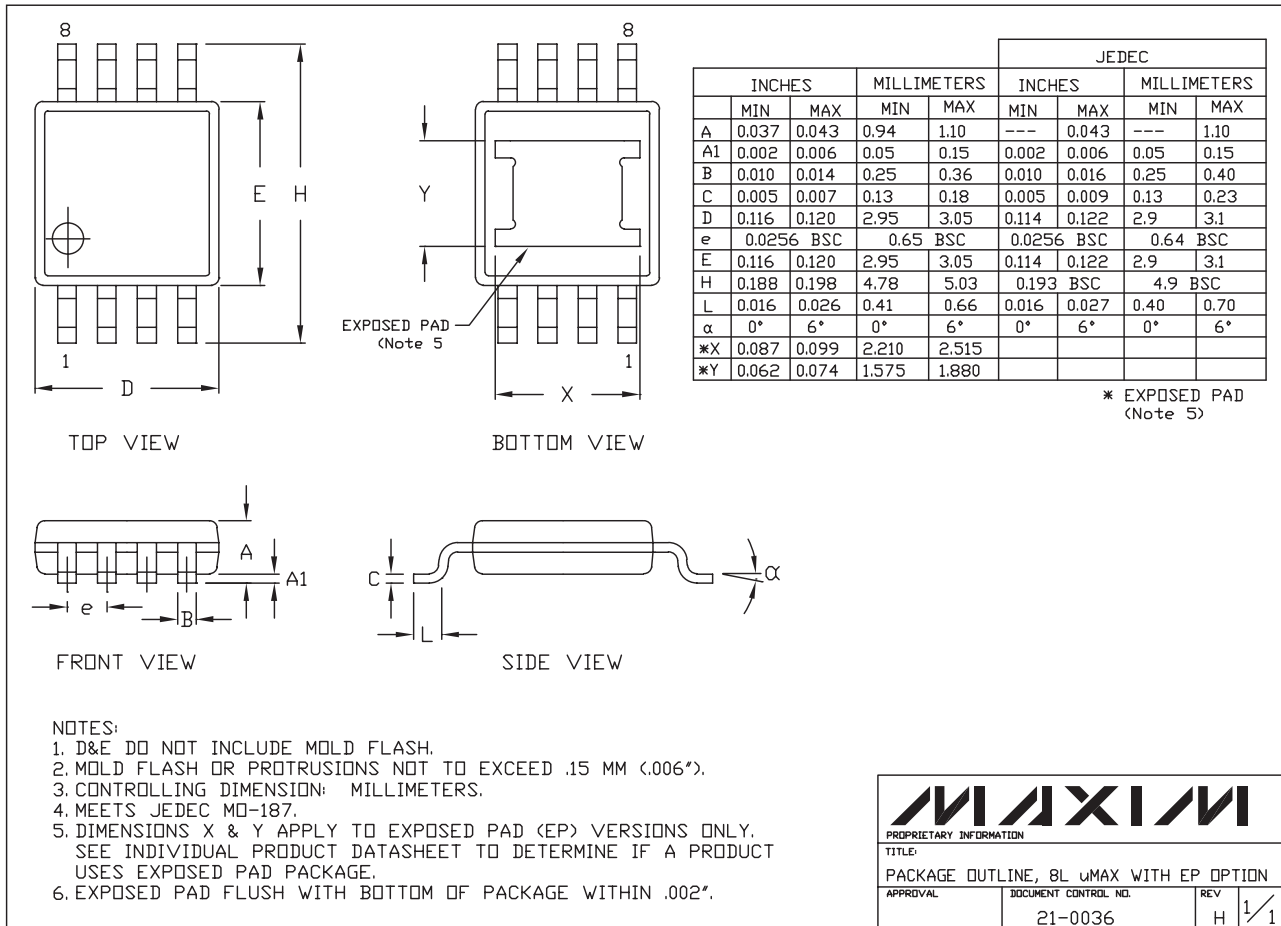
MAXIM			
PROPRIETARY INFORMATION			
TITLE			
PACKAGE OUTLINE, SOT23, 6L			
APPROVAL	DOCUMENT CONTROL NO.	REV	1/1
	21-0058	D	

Fast, Low-Voltage, 2.5Ω, SPST, CMOS Analog Switches

Package Information (continued)

MAX4645/MAX4646

8LUMAXD.EPS



Note: The MAX4645/MAX4646 do not have an exposed paddle.